



California Faucets®

# Decorative Grab Bar

DOMED END WITH LINED BASE

## Features

- All brass construction
- 1-1/4" diameter bar
- Concealed mounting
- Mounting hardware included

9412D-34  
9418D-34  
9424D-34  
9430D-34  
9436D-34  
9442D-34  
9448D-34

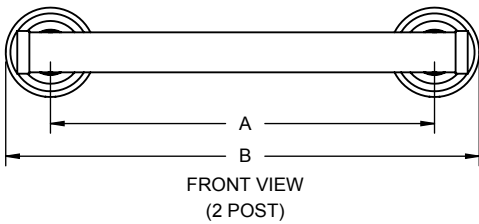


## Codes/Standards Applicable

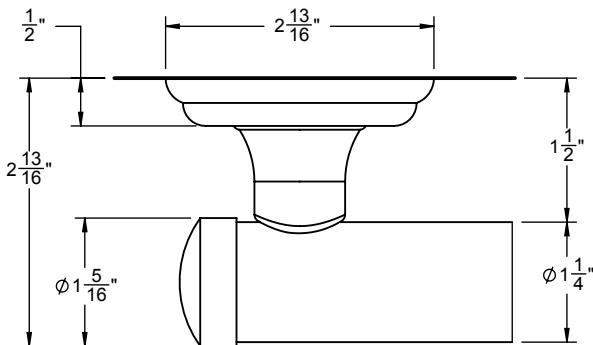
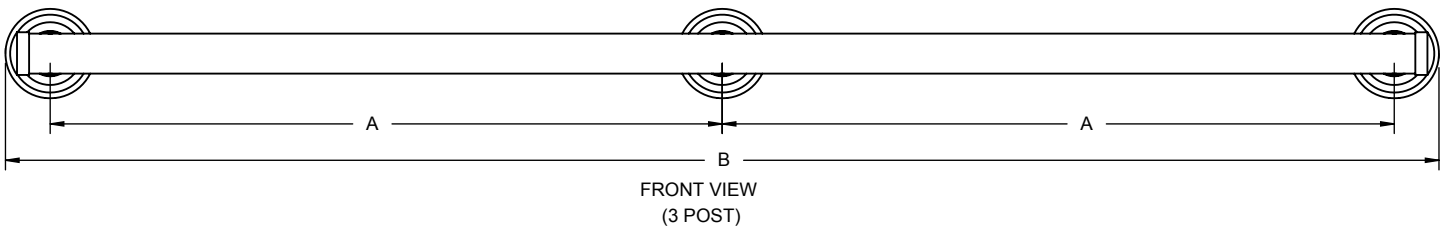
Product meets or exceeds the following:

- ADA compliant

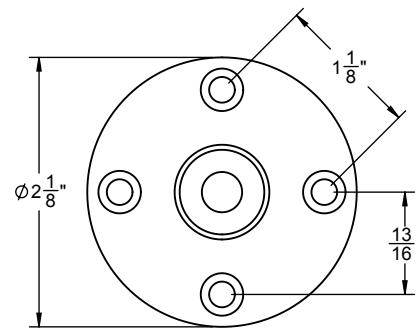
9418D-34 SHOWN



	DECORATIVE GRAB BAR	DIM. A	DIM. B
2 POST	9412D-34	12"	14 $\frac{13}{16}$ "
	9418D-34	18"	20 $\frac{13}{16}$ "
	9424D-34	24"	26 $\frac{13}{16}$ "
	9430D-34	30"	32 $\frac{13}{16}$ "
	9436D-34	36"	38 $\frac{13}{16}$ "
3 POST	9442D-34	21"	44 $\frac{13}{16}$ "
	9448D-34	24"	50 $\frac{13}{16}$ "



TOP VIEW



- (8X) - 2 POST GRAB BAR  
#8 X 1-3/4" PHILLIPS HEAD SCREW
- (12X) - 3 POST GRAB BAR  
#8 X 1-3/4" PHILLIPS HEAD SCREW

SPECIFICATIONS SUBJECT TO CHANGE WITHOUT NOTICE

ALL DIMENSIONS SHOWN TO NEAREST 1/16"